

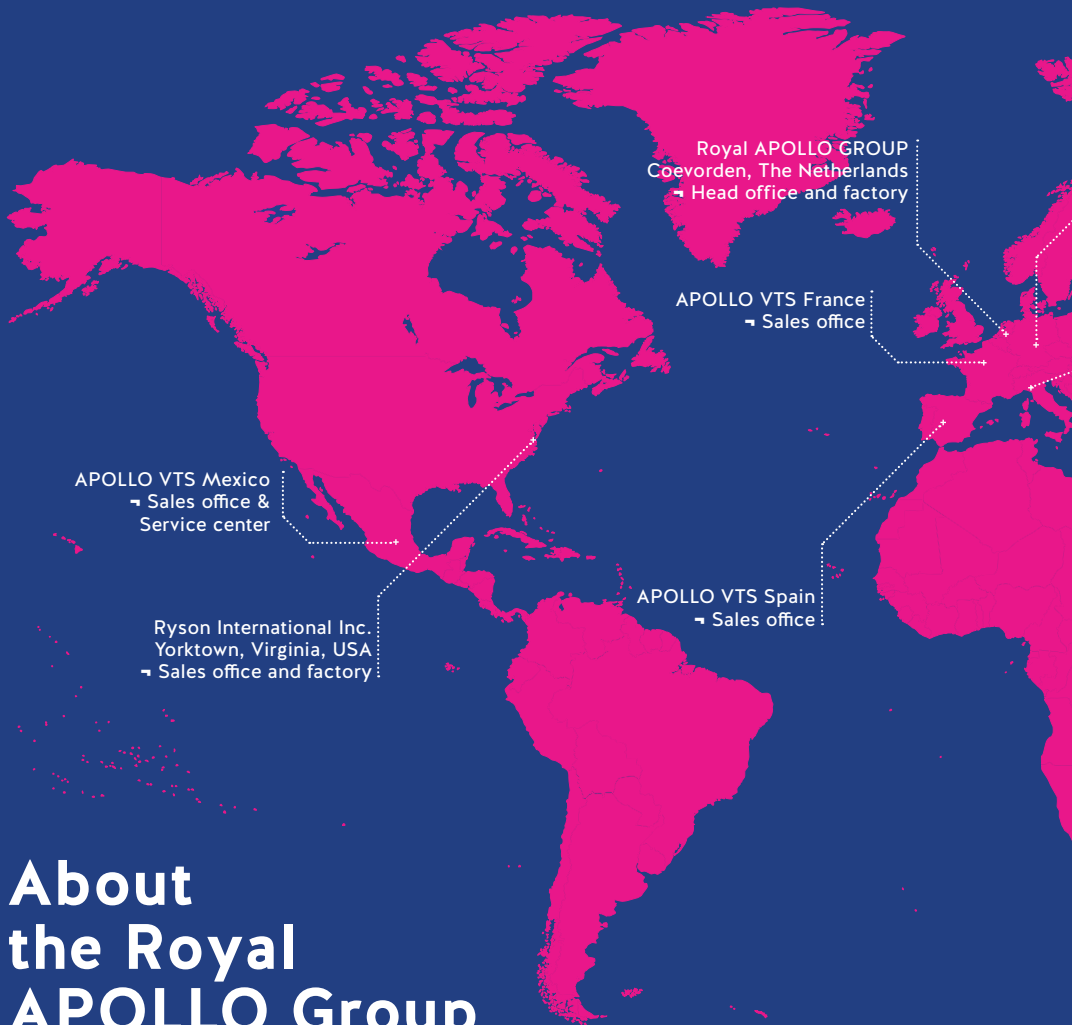
FACTSHEETBOOK

Vertical Transport Systems

Products of APOLLO VTS

Spiral Conveyor
Twister
Monorail Conveyor
Bucket Elevator





Royal APOLLO GROUP
Coevorden, The Netherlands
→ Head office and factory

APOLLO VTS France
→ Sales office

APOLLO VTS Mexico
→ Sales office &
Service center

Ryson International Inc.
Yorktown, Virginia, USA
→ Sales office and factory

APOLLO VTS Spain
→ Sales office

About the Royal APOLLO Group

Every day we strive to develop and deliver products and services that help our customers grow. Because standing still brings you nowhere, it might even move you backwards. Especially when it comes to the production lines of our customers.



APOLLO VTS Germany
→ Sales office

APOLLO VTS Italy
→ Sales office

APOLLO VTS India Private Limited
Maharashtra, India
→ Sales office & Service center

APOLLO VTS Trading
Shanghai, China
→ Sales office & Service center

APOLLO VTS ASIA Ltd
Bangkok, Thailand
→ Sales office, factory
& Service center

APOLLO VTS Indonesia
→ Sales office

ALWAYS MOVING DREAMS TO REALITY
Standing on the shoulders of her ancestors, Claudia is the 6th generation of the Van den Pol family. A family of entrepreneurs that grew from a blacksmith that started in 1847 into a worldwide player in a niche market. Being a worldwide player, means being close to our

global customers. Claudia and all APOLLO employees are determined to realize the long-term goals of APOLLO and their customers with energy, drive and vision.



Models & Types*

Single Lane Spiral Conveyors

Type	Dstc 1	D	B
1200-300	1200	1600	300
1300-400	1300	1800	400
1500-400	1500	2000	400
1600-500	1600	2200	500
1600-600	1600	2300	600
1700-600	1700	2400	600
1800-650	1800	2550	650

Dual Lane Spiral Conveyors

Type	Dstc 1 / Dstc 2	D	B
1200-300 / 2000-300	1200 / 2000	2400	300
1300-400 / 2300-400	1300 / 2300	2800	400
1600-500 / 2800-500	1600 / 2800	3400	500

Mass Flow Spiral Conveyors

Type	Dstc 1	D	B
2100 - 254	2100	2454	254
2400 - 500	2400	3000	500
2500 - 400	2500	3000	400

Heavy Duty Spiral Conveyors

Type	Dstc 1	D	B
1700 - 400 - HD	1700	2200	400
1700 - 600 - HD	1700	2400	600

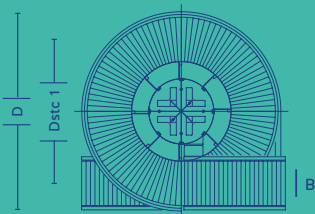
Narrow Trak Spiral Conveyors

Type	Dstc 1	D	B
1100-150	1100	1350	150
1200-230	1200	1530	230

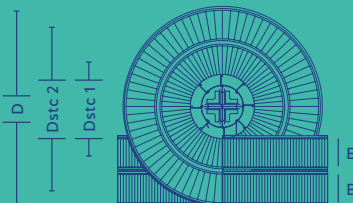
Wide Trak Spiral Conveyors

Type	Dstc 1	D	B
2200-760	2200	3060	760
3000-900	3000	4000	900

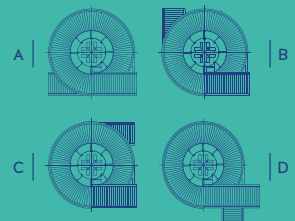
*Other Models & Types on request



Single Lane Spiral Conveyors



Dual Lane Spiral Conveyors



Models

Designed to handle...

SINGLE & DUAL LANE



Bags



Bundles



Totes



Containers



Shrink wrapped



Cartons



Crates



Tires



Carton wrapped



Trays

MASS FLOW



Bottles



Cans



Jars



Cups



Pouches

HEAVY DUTY



Bags



Totes



Trays



Cartons



Shrink wrapped



Crates



Bundles



Carton wrapped

NARROW TRAK



Containers



Cans



Cartons



Pouches



Jars

WIDE TRAK



Bags



Crates



Totes



Cartons



Trays



Bundles

BUCKET ELEVATOR



Sweets



Powder



Screws



Grain



Seeds



Coffee



Spiral Conveyor Single Lane

A
6

The APOLLO Spiral Conveyor is a proven reliable concept in vertical conveying, designed to conserve valuable floor space. The guide system includes low friction steel bearings and the chain is made of a heavy duty chrome plated steel construction. The guide rails are made of polyurethane embedded in an extruded aluminium profile. The slats are of moulded reinforced polycarbonate.

The Facts

50 kg/m

60 m/minute

One motor

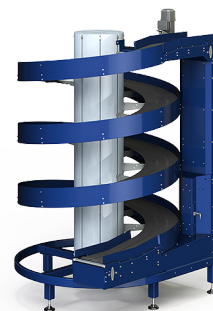
Possibility to ship in several pieces

Operate 24/7

Small footprint

Low friction operation

Built-in protection



Designed to
handle...



Containers



Carton
wrapped



Bags



Crates



Cartons



Bundles



Totes



Tires



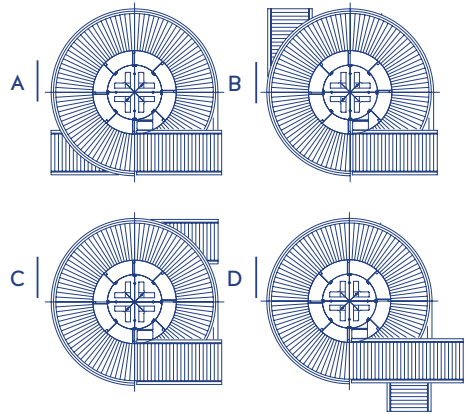
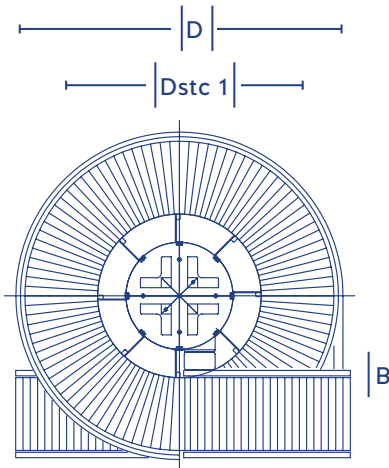
Trays



Shrink
wrapped

Facts & Measurements

The APOLLO Spiral Conveyors are of modular design and are available in several standard versions to accommodate a wide range of loads and applications. The Spiral Conveyors can go up or down and can be made reversible. All models can have extended infeed or outfeed, making Spiral Conveyors easy to fit in most lay outs.



Configurations

Standard machine

Part	Specifications
Base structure	Coated aluminium pipe with galvanized cross beams
Chain configuration	Chrome plated chain
Plating	Coated in specified RAL colour

Stainless steel dry use

Part	Specifications
Base structure	Stainless steel pipe with stainless steel cross beams
Chain configuration	Chrome plated chain
Plating	Stainless steel

Stainless steel wash down

Part	Specifications
Base structure	Stainless steel pipe with stainless steel cross beams
Chain configuration	Chrome plated chain with stainless steel bearings
Plating	Stainless steel

Models & Types*

Type	Dstc 1	D	B
1200-300	1200 mm	1600 mm	300 mm
1300-400	1300 mm	1800 mm	400 mm
1500-400	1500 mm	2000 mm	400 mm
1600-500	1600 mm	2200 mm	500 mm
1600-600	1600 mm	2300 mm	600 mm
1700-600	1700 mm	2400 mm	600 mm
1800-650	1800 mm	2550 mm	650 mm

*Other types on request



Spiral Conveyor Dual Lane

A
—
8

The APOLLO Dual Lane Spiral Conveyors have got two tracks running next to each other. Both tracks are separately driven and have the possibility to run synchronised or with different speeds and/or in opposite directions. This feature provides large flexibility for production facilities, where floor space is of utmost importance. The Dual Lane Spiral Conveyor can be executed with different track widths.

The Facts

- 50 kg/m
- 60 m/minute
- Small footprint
- Possibility to ship in several pieces
- Operate 24/7
- Low friction operation
- Built-in protection
- Double capacity



Designed to handle...



Containers



Carton wrapped



Bags



Crates



Cartons



Bundles



Totes



Tires



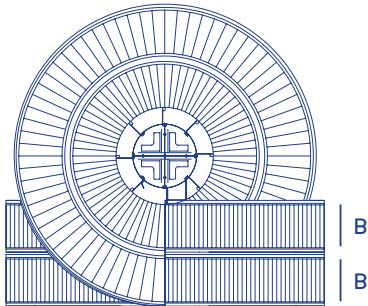
Trays



Shrink wrapped

Facts & Measurements

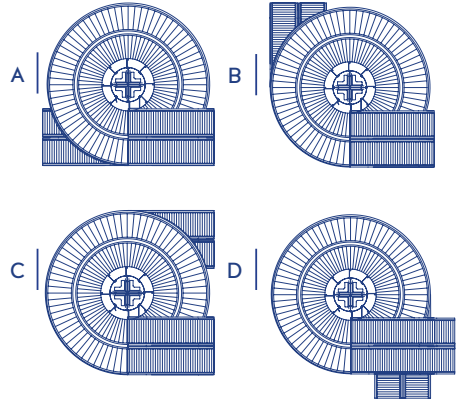
The APOLLO Spiral Conveyors are of modular design and are available in several standard versions to accommodate a wide range of loads and applications. The Spiral Conveyors can go up or down and can be made reversible. All models can have extended infeed or outfeed, making Spiral Conveyors easy to fit in most lay outs.



Models & Types*

Type	Dstc 1	Dstc 2	D	B
1200-300 / 2000-300	1200 mm	2000 mm	2400 mm	300 mm
1300-400 / 2300-400	1300 mm	2300 mm	2800 mm	400 mm
1600-500 / 2800-500	1600 mm	2800 mm	3400 mm	500 mm

*Other types on request



Configurations

Standard machine

Part	Specifications
Base structure	Coated aluminium pipe with galvanized cross beams
Chain configuration	Chrome plated chain
Plating	Coated in specified RAL colour

Stainless steel dry use

Part	Specifications
Base structure	Stainless steel pipe with stainless steel cross beams
Chain configuration	Chrome plated chain
Plating	Stainless steel

Stainless steel wash down

Part	Specifications
Base structure	Stainless steel pipe with stainless steel cross beams
Chain configuration	Chrome plated chain with stainless steel bearings
Plating	Stainless steel



Spiral Conveyor

Mass Flow

▲
10

The APOLLO Mass Flow Spiral Conveyors are designed to handle full and empty bottles, cans, jars and other similar single containers. Products are conveyed up or down in a continuous mass flow. APOLLO Spiral Conveyors have a small footprint and provide considerable space savings compared to conventional methods. The Mass Flow Spiral Conveyors are equipped with extended in- and outfeed tangents to facilitate smooth side transfer to and from external conveyors. Mass Flow Spiral Conveyors can be delivered with integrated in- and outfeed conveyors to ensure a smooth side transfer of products.

The Facts

Up to 120.000 bottles/cans per hour

One motor

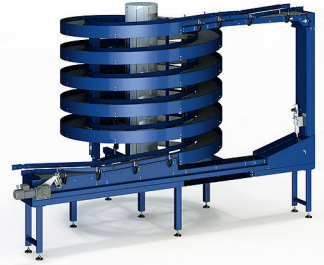
Possibility to ship in several pieces

Low friction operation

Operate 24/7

Built-in protection

Side transfer



Designed to handle...



Cans



Jars



Bottles



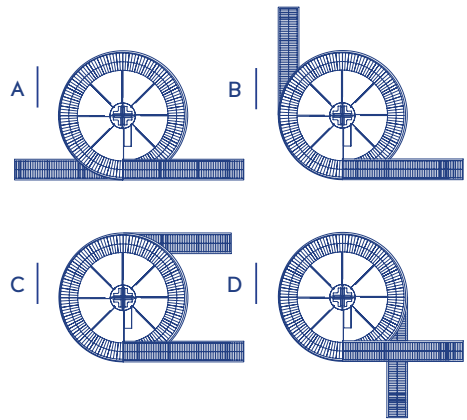
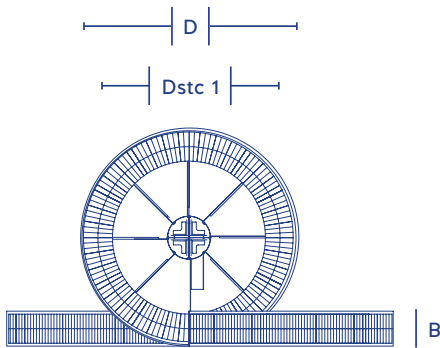
Cups



Pouches

Facts & Measurements

The APOLLO Spiral Conveyors are of modular design and are available in several standard versions to accommodate a wide range of loads and applications. The Spiral Conveyors can go up or down and can be made reversible. All models can have extended infeed or outfeed, making Spiral Conveyors easy to fit in most lay outs.



Configurations

Standard machine

Part	Specifications
Base structure	Coated aluminium pipe with galvanized cross beams
Chain configuration	Chrome plated chain
Plating	Coated in specified RAL colour

Stainless steel dry use

Part	Specifications
Base structure	Stainless steel pipe with stainless steel cross beams
Chain configuration	Chrome plated chain
Plating	Stainless steel

Stainless steel wash down

Part	Specifications
Base structure	Stainless steel pipe with stainless steel cross beams
Chain configuration	Chrome plated chain with stainless steel bearings
Plating	Stainless steel

Models & Types*

Type	Dstc 1	D	B
2100 - 254	2100 mm	2454 mm	254 mm
2400 - 500	2400 mm	3000 mm	500 mm
2500 - 400	2500 mm	3000 mm	400 mm

*Other types on request



Spiral Conveyor Heavy Duty

▲
12

The APOLLO Heavy Duty Spiral Conveyors can handle double the weight of our regular Spiral Conveyors. They can be shipped in one piece, which drastically reduces time and installation costs. The load capacity is 100 kg per meter for speeds up to 60 m/min. Only one motor is required, resulting in substantial savings in energy, controls and system integration. The Heavy Duty Spiral Conveyors can be delivered with shoot in and out conveyors for a multi-level product flow.

The Facts

100 kg/m

60 m/minute

Possibility to ship in several pieces

Built-in protection

One motor

Small footprint

Operate 24/7



Designed to
handle...



Trays



Carton
wrapped



Bags



Crates



Cartons



Bundles



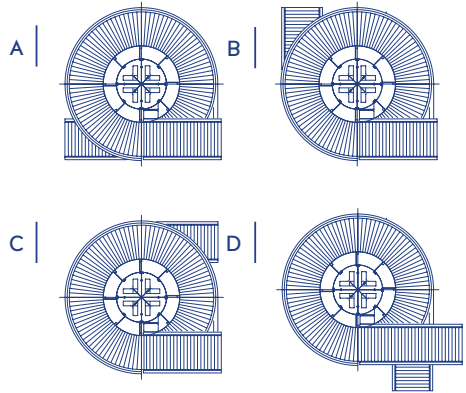
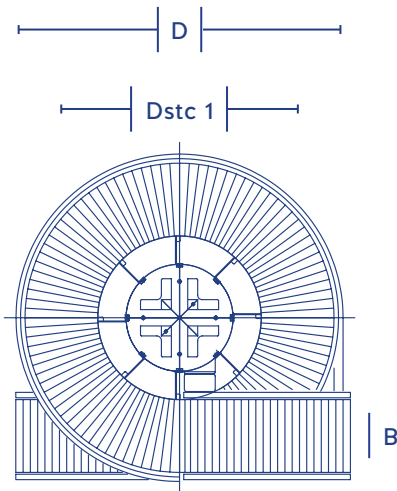
Totes



Shrink
wrapped

Facts & Measurements

The APOLLO Spiral Conveyors are of modular design and are available in several standard versions to accommodate a wide range of loads and applications. The Spiral Conveyors can go up or down and can be made reversible. All models can have extended infeed or outfeed, making Spiral Conveyors easy to fit in most lay outs.



Configurations

Standard machine

Part	Specifications
Base structure	Coated aluminium pipe with galvanized cross beams
Chain configuration	Chrome plated chain
Plating	Coated in specified RAL colour

Stainless steel dry use

Part	Specifications
Base structure	Stainless steel pipe with stainless steel cross beams
Chain configuration	Chrome plated chain
Plating	Stainless steel

Stainless steel wash down

Part	Specifications
Base structure	Stainless steel pipe with stainless steel cross beams
Chain configuration	Chrome plated chain with stainless steel bearings
Plating	Stainless steel

Models & Types*

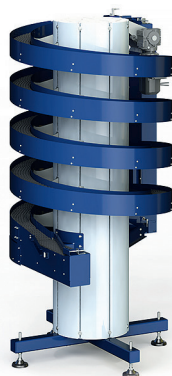
Type	Dstc 1	D	B
1700 - 400 - HD	1700 mm	2200 mm	400 mm
1700 - 600 - HD	1700 mm	2400 mm	600 mm

*Other types on request



Spiral Conveyor

Narrow Trak



Designed to handle...



Containers



Pouches



Jars



Cartons



Cans

A
14

The APOLLO Narrow Trak Spiral Conveyor is designed with the proven reliable APOLLO Spiral Conveyor philosophy being; rolling friction.

The chain slat arrangement in combination with the smaller base structure makes the Narrow Trak a perfect solution to transport small, single items. The Narrow Trak Spiral Conveyor contains a specific slat design which allows side transfers instead of head to head transfer, allowing small products to enter and exit the Spiral Conveyor.

The Facts

Up to 25 kg/m

60 m/minute

Small footprint

Possibility to ship in several pieces

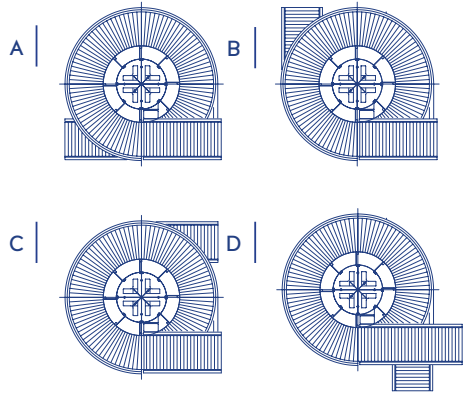
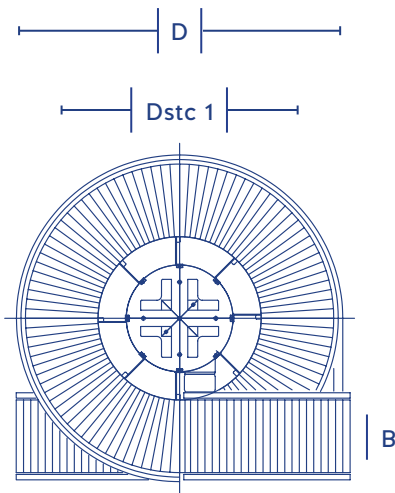
Operate 24/7

Low friction operation

Possibility of side transfer

Facts & Measurements

The APOLLO Spiral Conveyors are of modular design and are available in several standard versions to accommodate a wide range of loads and applications. The Spiral Conveyors can go up or down and can be made reversible. All models can have extended infeed or outfeed, making Spiral Conveyors easy to fit in most lay outs.



Configurations

Standard machine

Part	Specifications
Base structure	Coated aluminium pipe with galvanized cross beams
Chain configuration	Chrome plated chain
Plating	Coated in specified RAL colour

Stainless steel dry use

Part	Specifications
Base structure	Stainless steel pipe with stainless steel cross beams
Chain configuration	Chrome plated chain
Plating	Stainless steel

Stainless steel wash down

Part	Specifications
Base structure	Stainless steel pipe with stainless steel cross beams
Chain configuration	Chrome plated chain with stainless steel bearings
Plating	Stainless steel

Models & Types*

Type	Dstc 1	D	B
1100-150	1100	1350	150
1200-230	1200	1530	230

*Other types on request



Spiral Conveyor

Wide Trak

The APOLLO Wide Trak Spiral Conveyor can handle a variety of load sizes, big and small. It is ideal for warehousing and order picking operations. It reaches speeds up to 60 meter per minute and has a load capacity of 100 kg per meter. Only one motor is required, resulting in substantial savings in energy, controls and system integration.

The Facts

100 kg/m

60 m/minute

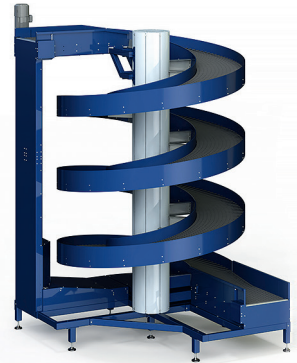
Product width up to 900 mm

Built in protection

Operate 24/7

Sustainability because only one motor is required

Possibility to transport different load sizes at the same time



Designed to handle...



Bags



Crates



Trays



Cartons



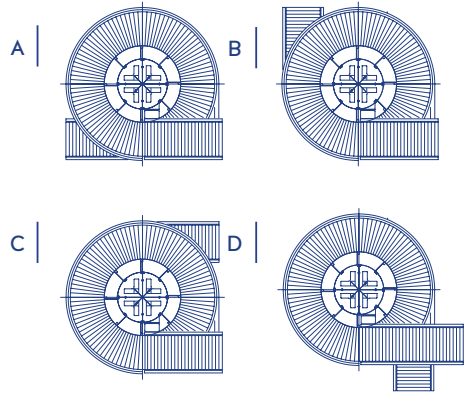
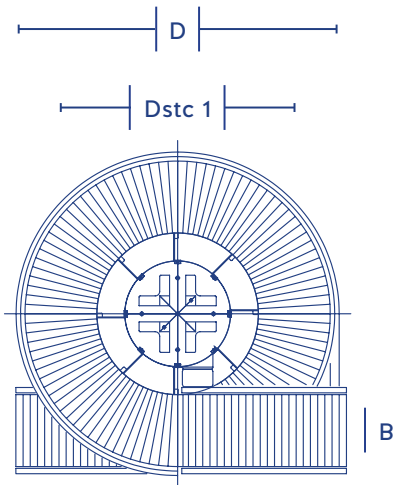
Bundles



Totes

Facts & Measurements

The APOLLO Spiral Conveyors are of modular design and are available in several standard versions to accommodate a wide range of loads and applications. The Spiral Conveyors can go up or down and can be made reversible. All models can have extended infeed or outfeed, making Spiral Conveyors easy to fit in most lay outs.



Configurations

Standard machine

Part	Specifications
Base structure	Coated aluminium pipe with galvanized cross beams
Chain configuration	Chrome plated chain
Plating	Coated in specified RAL colour

Stainless steel dry use

Part	Specifications
Base structure	Stainless steel pipe with stainless steel cross beams
Chain configuration	Chrome plated chain
Plating	Stainless steel

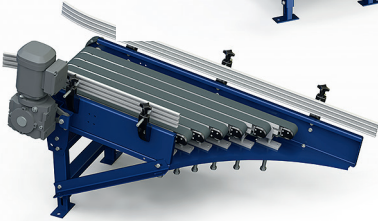
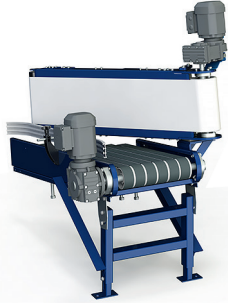
Stainless steel wash down

Part	Specifications
Base structure	Stainless steel pipe with stainless steel cross beams
Chain configuration	Chrome plated chain with stainless steel bearings
Plating	Stainless steel

Models & Types*

Type	Dstc 1	D	B
2200 - 760	2200 mm	3060 mm	760 mm
3000 - 900	3000 mm	4000 mm	900 mm

*Other types on request



▲
18

SPIRAL CONVEYOR OPTION 1

Shoot In & Out Conveyor

The APOLLO shoot-in and shoot-out conveyors can be applied to the Spiral Conveyors on several floor levels. This allows loads to enter or leave the Spiral Conveyor from different levels. These conveyors provide controlled spiral exit or entry. The conveyors can be applied with belts or with rollers, depending on the product that has to be transported. The speed of the conveyors can be adjusted for a smooth continuous product flow.

The Facts

- 50 kg/m
- 60 m/min (shoot-in)
- 40 m/min (shoot-out)
- Built in protection
- Operate 24/7
- Possible with belts and rollers

SPIRAL CONVEYOR OPTION 2

Monorail Conveyor

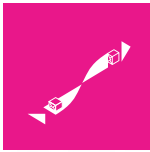
The APOLLO Monorail Conveyor is ideal for inclining or declining in tight quarters and can handle multiple curves with one drive. This so called 3D Conveyor allows lengths up to 50 meter, including several curves, incline/decline sections.

The Facts

- 60 m/minute
- Operating load 50 kg/m
- One motor

Belt widths (mm)

200	300	400	500	600	650
-----	-----	-----	-----	-----	-----



Technical specifications

Belt widths

200	300	400
500	600	

Rotation

90° clockwise or counter clockwise

180° clockwise or counter clockwise

Rotation Length of one unit

90°	3.000 mm*
180°	5.600 mm*

*Other types on request



Product Twister

The APOLLO Product Twister is an innovative conveyor for in-line rotating of cases and other unitised loads. The loads can be rotated 90° or 180° in a continuous motion. This conveyor is used in packing lines where products need to be rotated upside down or to one side without delay or product damage. The APOLLO Product Twister can accommodate a wide range of load sizes without adjustment.

The Facts

Low friction operation

50 kg/m

40 m/minute

Small footprint

Designed to handle...



Shrink wrapped



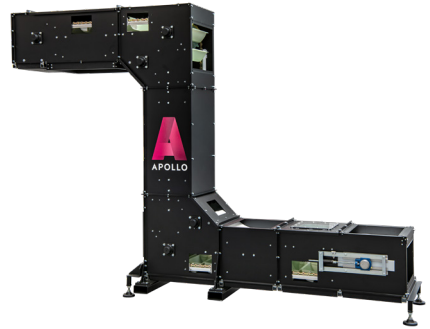
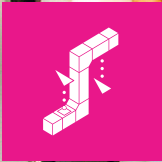
Bundles



Cartons



Carton wrapped



Designed to
handle...



Sweets



Powder



Screws



Grain



Seeds



Coffee

$\frac{A}{20}$

Bucket Elevator

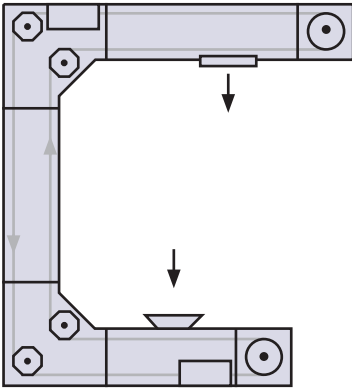
The APOLLO Bucket Elevator combines horizontal and vertical transport in one installation. This together with the possibility of several inlets and outlets makes our installation an efficient part of your production process. The Bucket Elevator can be equipped with nozzles to ensure clean buckets.

The Facts

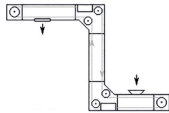
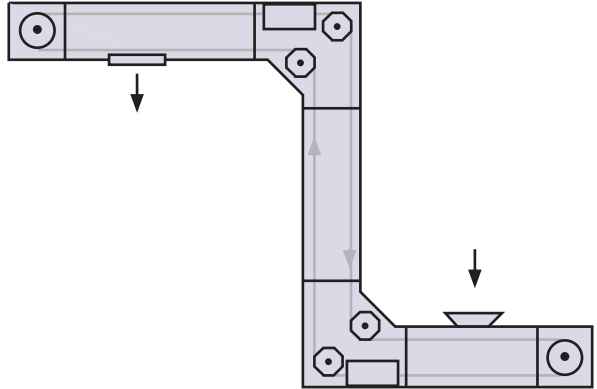
- Modular design
- Several inlets and outlets are possible
- No alteration of product during transport
- Easy to install
- High reliability
- Low maintenance
- One motor

Bucket Elevator

C-model



Z-model



Models & Types

Type	l/h
100	10.000
200	23.000
600	59.000

Bucket materials

Specifications

Anti-static

FDA approved

TDA detectable by metal detector

Always moving

Contact

WHEREVER YOU ARE IN THE WORLD, A MEMBER OF THE ROYAL APOLLO GROUP IS ALWAYS ABLE TO HELP YOU IN YOUR OWN CONTINENT, TIME ZONE AND LANGUAGE.

HEADQUARTERS GROUP

ROYAL APOLLO Group

Modem 28
7741 MJ Coevorden
+31 524 51 50 51
vts@apollobv.com
www.royalapollobv.nl

INTERCONTINENTAL

APAC

Banglee Industrial Estate
172/4 Moo 17
Tambon Bang Sao Thong, Amphur
Bang Sao Thong
Samutprakarn, Thailand
+66 2315 1450
vtsapac@apollobv.com

China

Room 5135, 51F Raffles City
268 Middle Xizang Road
Huangpu District, Shanghai
200001, PR China
+86 21 2312 7575
vtsapac@apollobv.com

India

5th Floor, Unit No. 509,
Sr. No. 30/3A, Platinum Square,
Lohegaon, Viman Nagar,
Pune-411014, Maharashtra, India
+91 853 097 0404
india@apollobv.com

USA/North America

Ryson International, Inc.
300 Newsome Drive
Yorktown, VA 23692, USA
+1 757 898 15 30
sales@ryson.com
www.ryson.com

Latin America

Apollo VTS Mexico
+52 3 314 104 603
latam@apollobv.com



The Royal APOLLO GROUP consists of:
APOLLO VTS, APOLLO ISC, APOLLO LS,
APOLLO VTS ASIA, APOLLO VTS India Private Ltd.,
APOLLO VTS Trading Shanghai, APOLLO Service
and RYSON International

royalapollobv.nl