

PALLET WRAPPERS



We understand that packaging forms a vital part of your business.

We use our expertise to advise customers on the most effective and efficient wrapping solutions for their specific requirements, ensuring your goods arrive in despatch condition.



ECOPLAT PLUS BASE

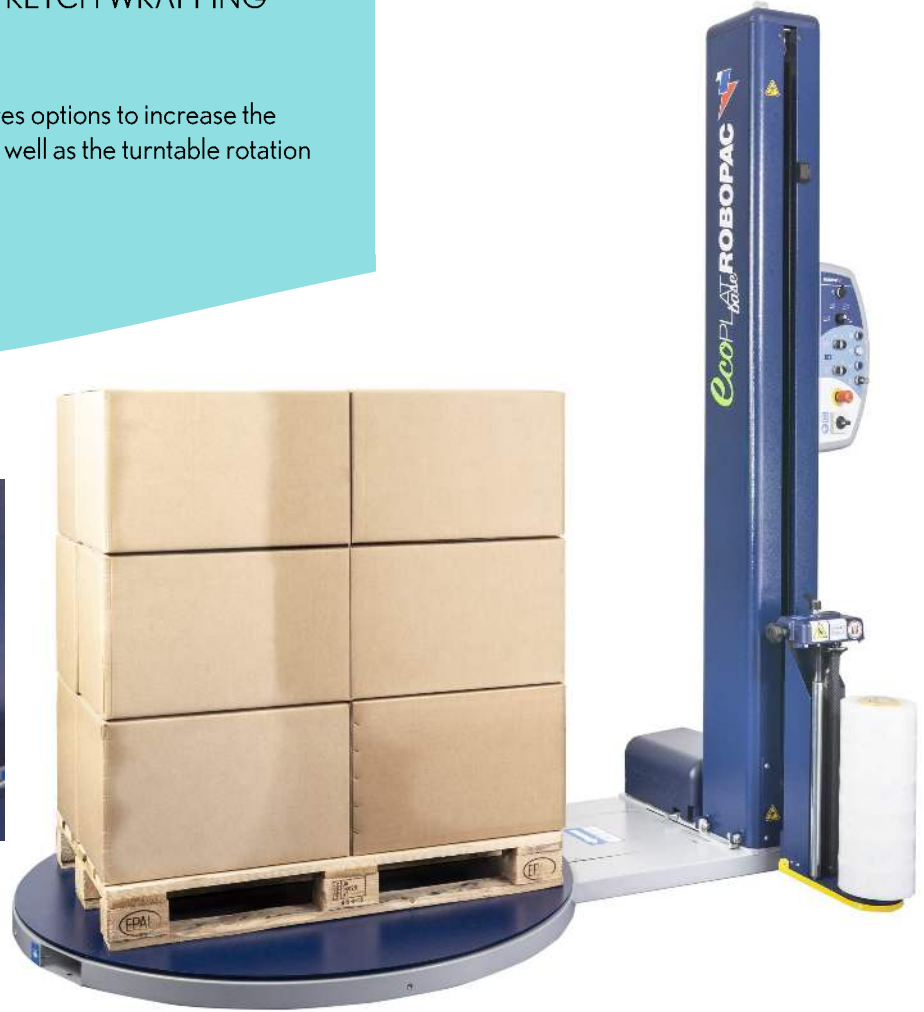
ENTRY LEVEL TURNTABLE STRETCH WRAPPING MACHINE

The easy-to-use control panel features options to increase the number of top and bottom wraps, as well as the turntable rotation speed.

ECOPLAT PLUS
Control Panel



ECOPLAT PLUS
Mechanical Tension



Features:

- Top and bottom wraps
- Upward-downward carriage speed
- Turntable rotation speed
- Emergency stop
- IP54 - protection against dust and water
- Adjustable Film Tension
- Fork lifting slots
- Photo Cell Pallet Height Detection
- Turntable Home Position

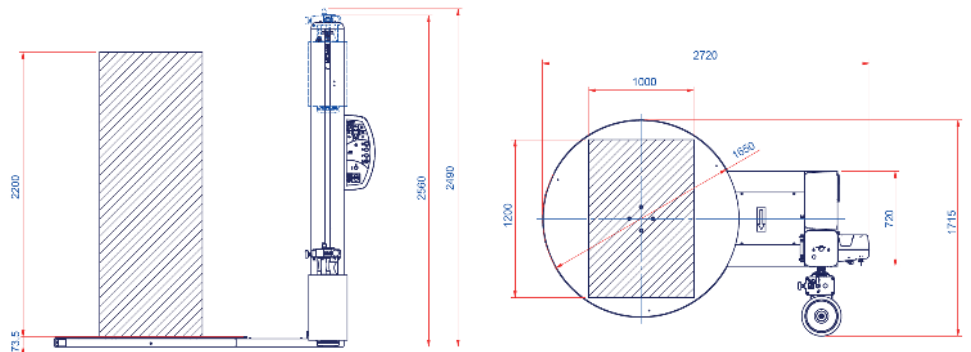
Specification:

- Turntable Diameter 1650mm
- Max Pallet Weight 2200kg
- Max Wrapping Height 2m
- Turntable Speed 4–10RPM
- 230 V 1Ph 50/60 Hz
- Power consumption 1KW

Dimensions:

Options:

- Photocell Sensor for Black Film
- Pallet Truck Access Ramp





ECOPLAT PLUS FRD

ENTRY LEVEL TURNTABLE STRETCH WRAPPING MACHINE

The easy-to-use control panel features a number of options to increase the number of top and bottom wraps, as well as the turntable rotation speed making this machine suitable for 90% of applications.

ECOPLAT FRD
Control Panel



LED Panel selected
by Jog

ECOPLAT FRD
Mechanical Tension



Features:

- Upward-downward cycle
- Only downward or upward cycle
- Top sheet cycle
- Manual cycle
- Eco cycle (recorded)
- Top wraps / Bottom wraps
- Reinforce wraps
- Upward-downward carriage speed
- Turntable rotation speed
- Emergency stop
- IP54 - protection against dust and water
- Adjustable Film Tension

Options:

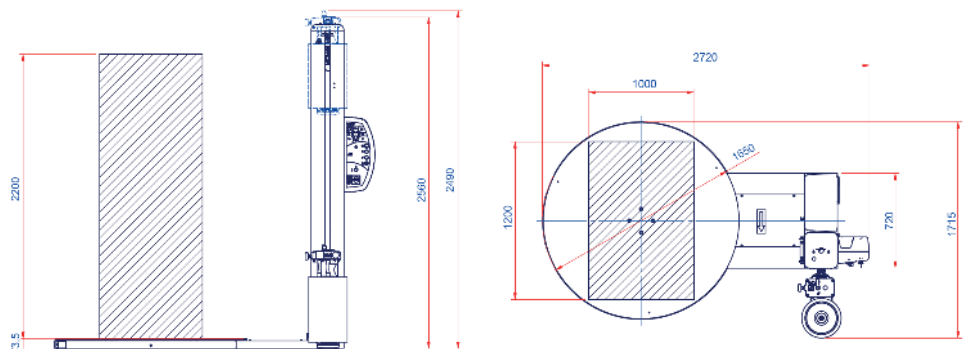
- Photocell Sensor for Black Film
- Pallet Truck Access Ramp



Specification:

- Turntable Diameter 1650mm
- Max Pallet Weight 2200kg
- Max Wrapping Height 2m
- Turntable Speed 4-10RPM
- 230 V 1Ph 50/60 Hz
- Power consumption 1KW

Dimensions:





MASTERPLAT

TURNTABLE STRETCH WRAPPING MACHINE

The easy-to-use control panel features 6 setting options, including the ability to amend the film tension. The PGS film carriage is fixed gear 250% power pre-stretch and the tension is controlled by a strain gauge, adjusted on the control panel.

MASTERPLAT Control Panel



MASTERPLAT Powered Tension



MASTERPLAT Control Panel



Features:

- Upward-downward cycle
- Only downward or upward cycle
- Top sheet cycle
- Manual cycle
- Programable
- Top wraps / Bottom wraps
- Reinforce wraps
- Programable Upward-downward carriage speed
- Turntable rotation speed
- Emergency stop
- IP54 - protection against dust and water
- Adjustable Film Tension
- Fork lifting slots
- Photo Cell Pallet Height Detection

Options:

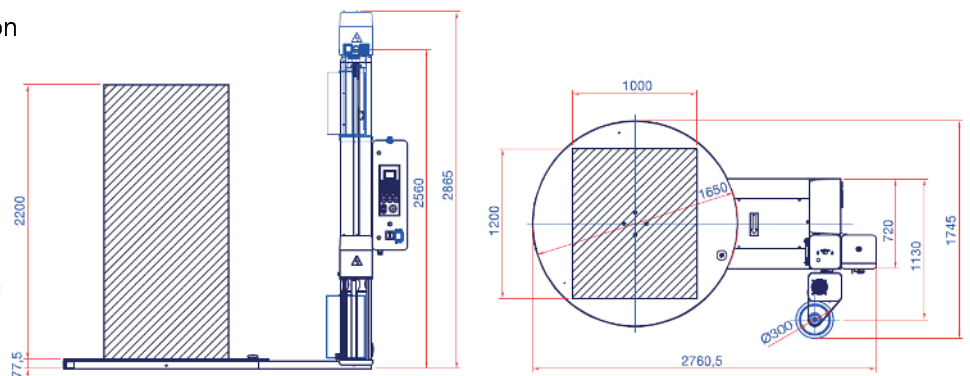
- Photocell Sensor for Black Film
- Pallet Truck Access Ramp



Specification:

- Turntable Diameter 1650mm, 1800mm Option
- Max Pallet Weight 2200kg, 2500kg Option
- Max Wrapping Height 2m, 2.4, 2.8, 3m Option
- Turntable Speed 4–10RPM
- 230 V 1Ph 50/60 Hz
- Power consumption 1.9KW

Dimensions:





ROBOPLAT-508

HIGH PERFORMANCE TURNTABLE POWER PRE STRETCH WRAPPING MACHINE

The easy-to-use control panel features 12 different wrapping options that can be easily set via the touch screen control panel.

ROTOPLAT 508
Mechanical Tension

ROTOPLAT 508
Control Panel



Features:

- Upward-downward cycle
- Only downward or upward cycle
- Top sheet cycle
- Manual cycle
- Programable
- Top wraps / Bottom wraps
- Reinforce wraps
- Programable Upward-downward carriage speed
- Turntable rotation speed
- Emergency stop
- IP54 - protection against dust and water
- Adjustable Film Tension
- Fork lifting slots
- Photo Cell Pallet Height Detection

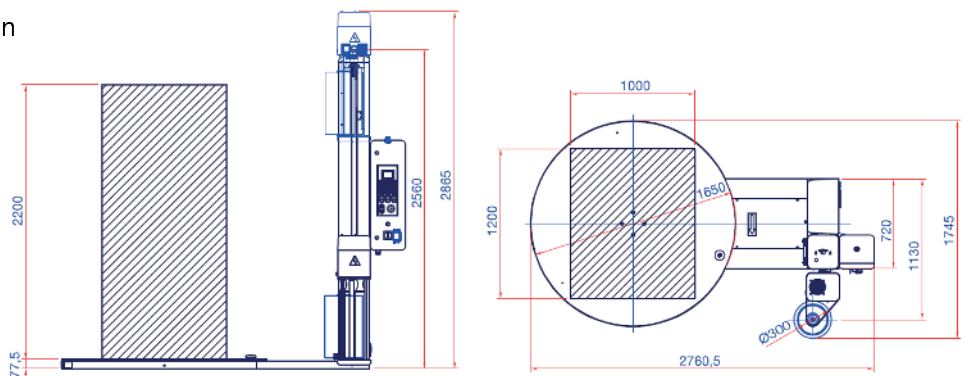
Specification:

- Turntable Diameter 1650mm
- Max Pallet Weight 2200kg
- Max Wrapping Height 2m
- Turntable Speed 4–10RPM
- 230 V 1Ph 50/60 Hz
- Power consumption 1.9KW

Dimensions:

Options:

- Photocell for Black Film
- Pallet Truck Access Ramp





ROBOPLAT-708

HIGH PERFORMANCE TURNTABLE POWER PRE STRETCH WRAPPING MACHINE

The easy-to-use control panel features 12 different wrapping options that can be easily set via the touch screen control panel. The Power Pre Stretch film can be adjusted from 150% to 400%

ROTOPLAT 708
Mechanical Tension



ROTOPLAT 708
Control Panel



Features:

- Upward-downward cycle
- Only downward or upward cycle
- Top sheet cycle
- Manual cycle
- Programable
- Top wraps / Bottom wraps
- Reinforce wraps
- Programable Upward-downward carriage speed
- Turntable rotation speed
- Emergency stop
- IP54 - protection against dust and water
- Adjustable Film Tension
- Fork lifting slots
- Photo Cell Pallet Height Detection
- Adjustable Power Stretch 150% - 400%

Options:

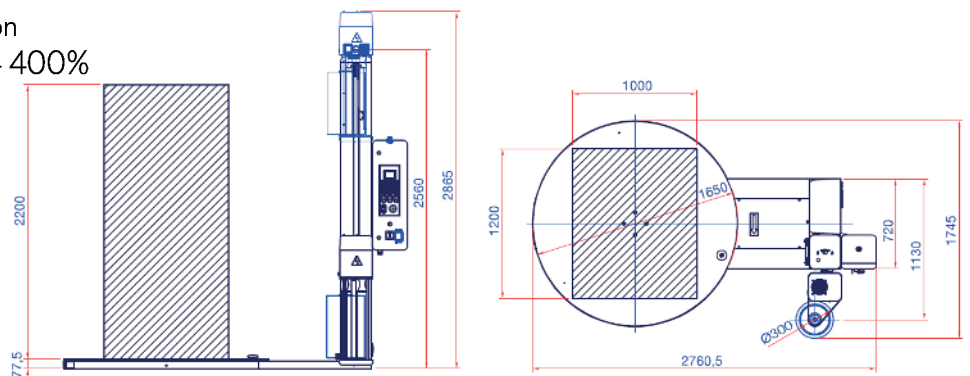
- Photocell for Black Film
- Pallet Truck Access Ramp



Specification:

- Turntable Diameter 1650mm
- Max Pallet Weight 2200kg
- Max Wrapping Height 2m
- Turntable Speed 4-10RPM
- 230 V 1Ph 50/60 Hz
- Power consumption 1.9KW

Dimensions:





PALLET WRAPPER MH-FG2000A

90% of wrapping applications require a simple double wrapped pallet with extra wraps at the top and the bottom. This wrapping machine has been designed as a single program machine with 2 wrap modes and uses standard or pre-stretched pallet wrap with up to 150% stretch.



Adjustable Spring Brake with Quick Release



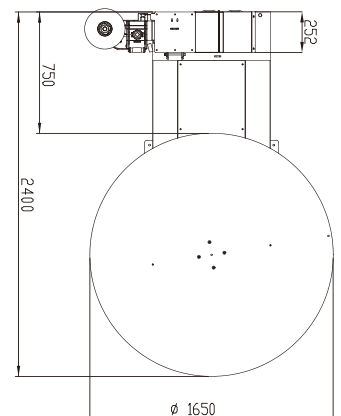
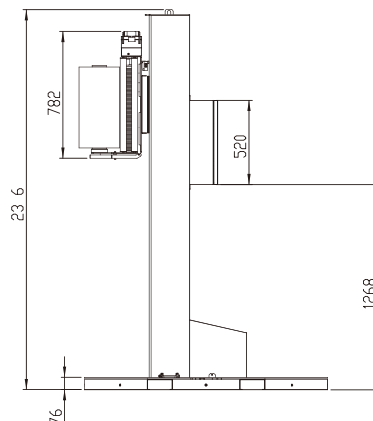
Features:

- Adjustable Spring Brake with Quick Release
- Turntable Home Position
- Slow Start and Stop
- One Touch Program
- Top/Bottom Wrap Selector
 - (1) 3 Bottom Wraps and 2 Top Wraps
 - (2) 4 Bottom Wraps and 3 Top Wraps
- - Photo Cell Pallet Height Detection
- Fork lifting slots

Specification:

- Max Wrapping Height 2.2m
- Turntable Speed 10RPM
- Max Pallet Weight 1500kg
- Turntable Diameter 1650mm
- Power Supply 240V 1-Phase
- Power consumption 0.8KW

Dimensions:



Options:

- Photocell Sensor for Black Film
- Pallet Truck Access Ramp





PALLET WRAPPER MH-FH2000B

Programable pallet wrapper with auto and manual modes for every application. Suitable for use with power pre stretch film up to 250%



Power Pre Stretch



Touch Screen



Features:

- LCD Touch Screen Control
- 250% Power Pre-Stretch
- Turntable Home Position
- Soft Start/Stop
- Automatic/Manual Mode
- Adjustable Top/Bottom Wrap
- Adjustable Wrapping Tension
- Adjustable Carriage Speed
- Top Sheet Mode
- 3 Memory Modes
- Password Protected Control Panel
- Advanced Soft Wrapping
- Photocell Pallet Height Detection

Specification:

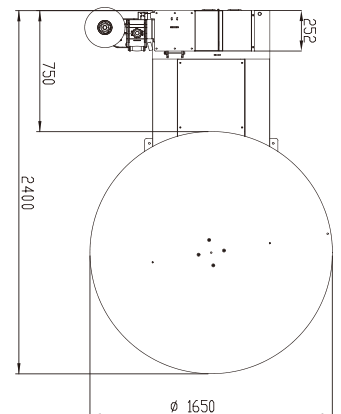
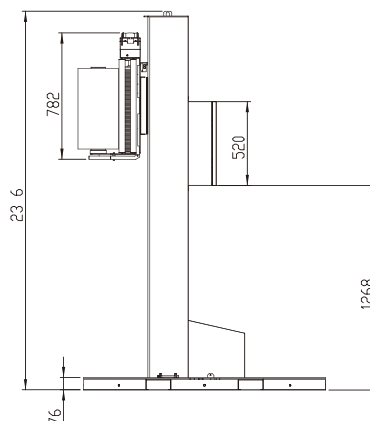
- Max Wrapping Height 2.2m
- Turntable Speed 12RPM
- Max Pallet Weight 1650kg
- Turntable Diameter 1650mm
- Power Supply 240v 1-Phase
- Power 1.2KW

Options:

- Photocell Sensor for Black Film
- Pallet Truck Access Ramp



Dimensions:





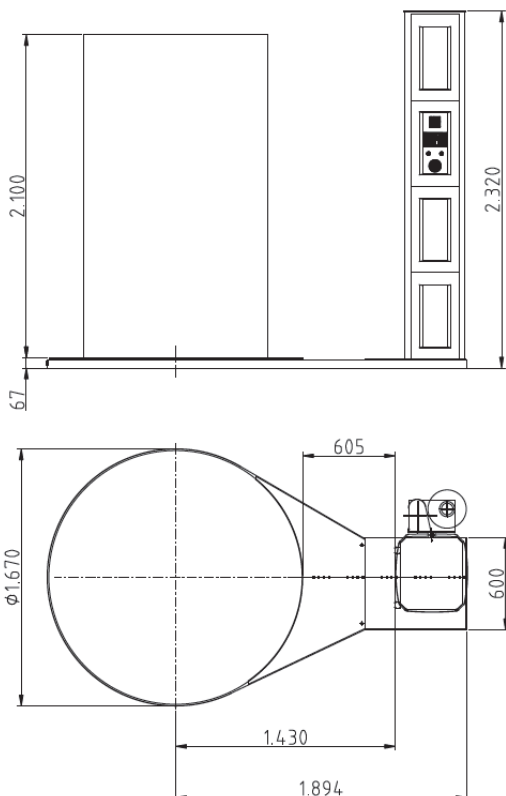
PALLET WRAPPER S140-PLUS

The S140-Plus is the workhorse in the range for pallet wrapping using standard or pre-stretched film. The functions for double or single wrapping make it suitable for 90% of applications.



Core Brake

Control Panel



Semi-automatic wrapping machine with core break.

- Rotating table diameter 1650 mm load 2000 kg
- Core break film tensioning
- Distance between column and rotating table 500 mm
- Wrapping height up to 2100 mm detected by photocell
- Adjustable number of top and bottom reinforcement wraps
- Table rotation regulated by variable frequency drive from 5 to 12 rpm
- Sensor controlled rotation stop
- Variable film carrier speed
- Film carrier fall protection system
- Electronic control panel providing simple wrapping cycle, double wrapping cycle, cycle with stop
- for top cover positioning, manual wrapping cycle
- Manual film carrier stop for reinforcement wraps in any position



PALLET WRAPPER S300 POWER PRE-STRETCH

Semi-automatic wrapping machine with rotating table.
Equipped with motorised pre-stretch (1- or 2-motors versions)
that maximises the film saving up to 400%.
Perfect for the medium companies, Spinny S300 is an heavy
duty, easy to use and affordable wrapping machine.

OPTIONS

- Smart Touch control panel with 5 customisable working programs
- Rotating table capacity up to 2000 kg and diameter up to 2200 mm
- Pallet height up to 3100 mm



Description

Semi-automatic wrapping machine with pre-stretch (motorized)

- Rotating table diameter 1650 mm load 2000 kg
- Motorized pre-stretch with 1 or 2 motors for film tensioning
- Distance between column and rotating table 500 mm
- Wrapping height up to 2100 mm detected by photocell
- Separate programming of top and bottom reinforcement wraps
- Table rotation regulated by variable frequency drive from 5 to 10 rpm
- Sensor controlled rotation stop
- Variable speed of film carrier completely customisable
- Independent top and bottom turns
- Film carrier fall protection system
- Electronic control panel with 10 password protected working cycles
- Manual film carrier stop for reinforcement wrapping turns.
- Power 230V-50Hz

PRE-STRETCH SYSTEM = ECONOMIC ADVANTAGE

All models of S300 are equipped with an high-performance **MOTORIZED PRE-STRETCH SYSTEM**. The power pre-stretch is a special device which allows the best utilization of the stretch film quantity: moreover, it permits to wrap light and unsteady pallets that couldn't be wrapped with different frictioning systems. The stretch film is supplied in the right quantity by the rollers that are operated by a motor, which is controlled by an electronic system that measures the speed and keeps the film tension constant on the whole pallet's surface. The motorized pre-stretch system allows an efficiency of film up to 300%.

DUAL MOTOR

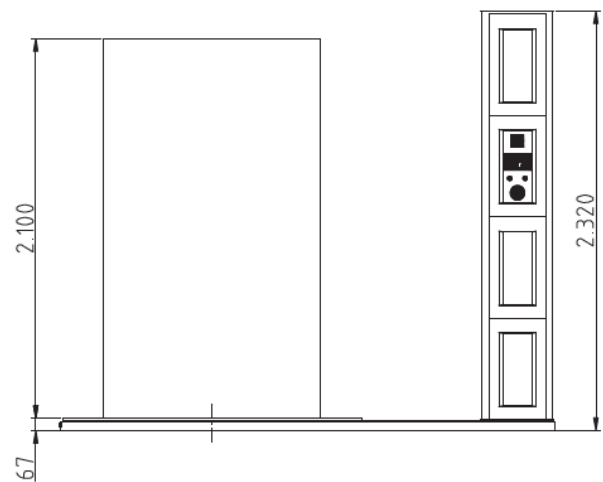
The **DUAL MOTOR** version is designed to let you save even more film, obtaining more economic advantages. Based on the same principle of the single motor version, the **DUAL MOTOR** system offers variable stretch factor up to 400%.

More options

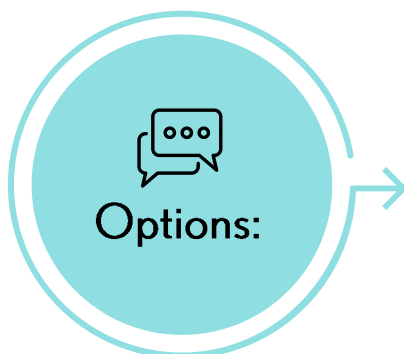
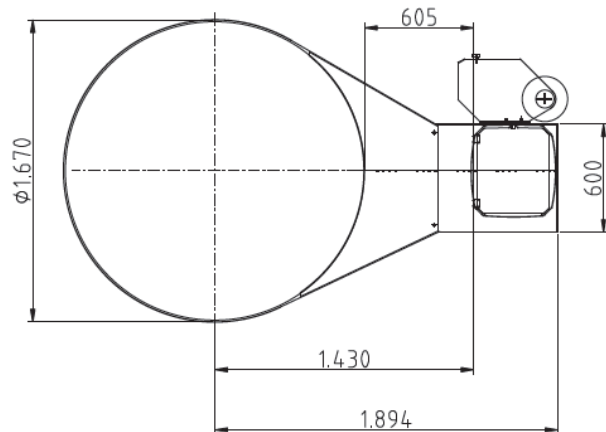
Door Wrapper



Dimensions



In-line conveyor turntable



There are a few options available for purchase and service:

- Outright Purchase
- Lease Plan
- Rental (3 months min)
- Maintenance Contract

To find out which is the best option for you please speak with one of the team.



AUTO PALLET WRAPPERS

In addition to the semi-automatic range of pallet wrappers there are many options available for inline automated systems.



Automatic packaging line with rotating table wrapping machine and automatic top sheet dispenser.



- Pallet height detected by photocell
- Motorized film pre-stretch with 1 or 2 motors
- Variable speed of film carrier completely customizable
- Working cycles controlled by PLC Siemens S7-1200 and control panel
- 10 customizable working cycles
- All motors controlled by inverter
- Pallet dimensions 1200×1200 mm h=2400 mm
- Load capacity 2000 kg
- Supply 400V-50Hz
- Automatic film cut system

Automatic packaging line with rotating arm



- Standard pallet dimensions 1200×1200 mm
- Motorized film pre-stretch with 1 or 2 motors
- Separate programming of top and bottom reinforcement wraps
- Pallet height detected by photocell - standard h=2100 mm; on request up to 3000 mm
- Arm rotation regulated by inverter from 4 to 15 rpm
- Sensor controlled rotation stop
- Variable speed of film carrier completely customizable
- Film carrier fall protection system
- Working cycles controlled by PLC Siemens S7-1200 and control panel KTP700
- Control panel with 10 password protected working cycles
- All motors controlled by inverter
- Tension 400V-50Hz
- Automatic cut system



Contact us

Please feel free to contact us with any queries or requests. We'd love to hear from you.



KB Packaging (UK) LLP
Merlin Way
Quarry Hill Industrial Estate
Ilkeston
Derbyshire
DE7 4RA

Tel: 0115 9441600
Email: info@kbpackaging.com
Web: kbpackaging.com